

QCS-MRG-A500-2

SMA Male Right Angle

Features:
* Low VSWR

Applications:
* Wireless
* Radar
* Instruments
* Electronics



Electrical

Frequency: DC~18GHz
VSWR: 1.35 max.

Mechanical

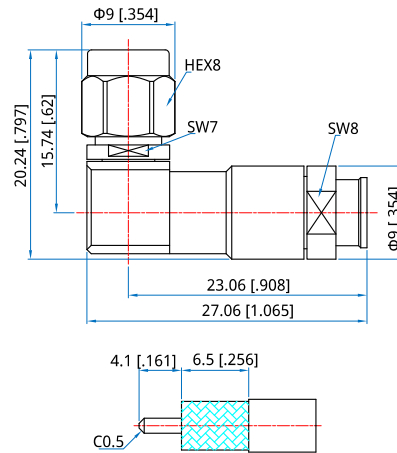
RF Connector: SMA Male Right Angle
Mating Cable: QA500
Outer Conductor: Passivated Stainless Steel
Inner Conductor: Gold Plated Brass or
Gold Plated Beryllium Copper

How To Order

QCS-MRG-A500-2

Customization is available upon request.

Outline Drawings



Unit: mm [in]

Tolerance: $\pm 0.2\text{mm}$ [$\pm 0.008\text{in}$]